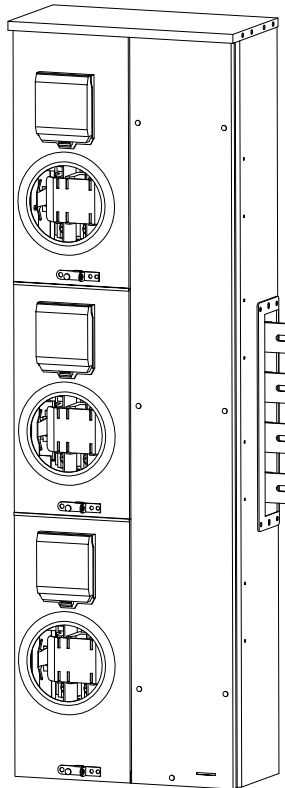


# COLD SEQUENCE

## ERICKSON ELECTRICAL EQUIPMENT CO. COMMERCIAL METERING PANELBOARDS

FOR 3Ø-4W SYSTEMS, 480Y/277V. (NOT INTERCHANGEABLE WITH 240V. UNITS)  
3Ø 4W BRANCH METER/DISCONNECT DEVICES.  
FOR INDOOR OR OUTDOOR USE (TYPE 3R CONSTRUCTION)



### FEATURES:

- GANGABLE, AVAILABLE 1 TO 3 POSITIONS HIGH.
- SHORT CIRCUIT CURRENT RATING 200,000 RMS SYMMETRICAL AMPERES - WITH PULLOUT DISCONNECTS.
- TYPE 3R ALUMINUM ENCLOSURES INSTALL EASILY, NEVER RUST.
- METER SOCKETS ARE EQUIPPED WITH LEVER BY-PASS AND FEATURE RINGLESS COVERS.
- BOLT-ON BRANCH OVERCURRENT DEVICES.
- BRANCH OVERCURRENT DEVICES ARE CLASS 'T' FUSIBLE PULLOUT SWITCHES. CIRCUIT BREAKERS ARE AVAILABLE.
- ENTRANCE SECTIONS MAY HAVE MAIN LUGS ONLY, BOLTED-PRESSURE CONTACT MAIN FUSIBLE SWITCHES OR MAIN CIRCUIT BREAKERS. SEE SEPARATE BULLETINS.
- SIMPLE INSTALLATION, WITH SINGLE BOLT MAIN BUS JOINTS.
- C/T. SECTIONS WITH 400, 600 OR 800 AMP. DISCONNECT SWITCHES ARE AVAILABLE.
- LISTED BY UNDERWRITERS LABORATORIES INC, AS ENCLOSED PANELBOARDS, FILE E-12208

**APPLICATION:** FOR MULTIPLE OCCUPANCY OR TENANT METERING. WHERE DISCONNECT METER SEQUENCE (COLD SEQUENCE). IS REQUIRED. USE WITH TERMINATION BOX, MAIN BREAKER OR MAIN SWITCH.

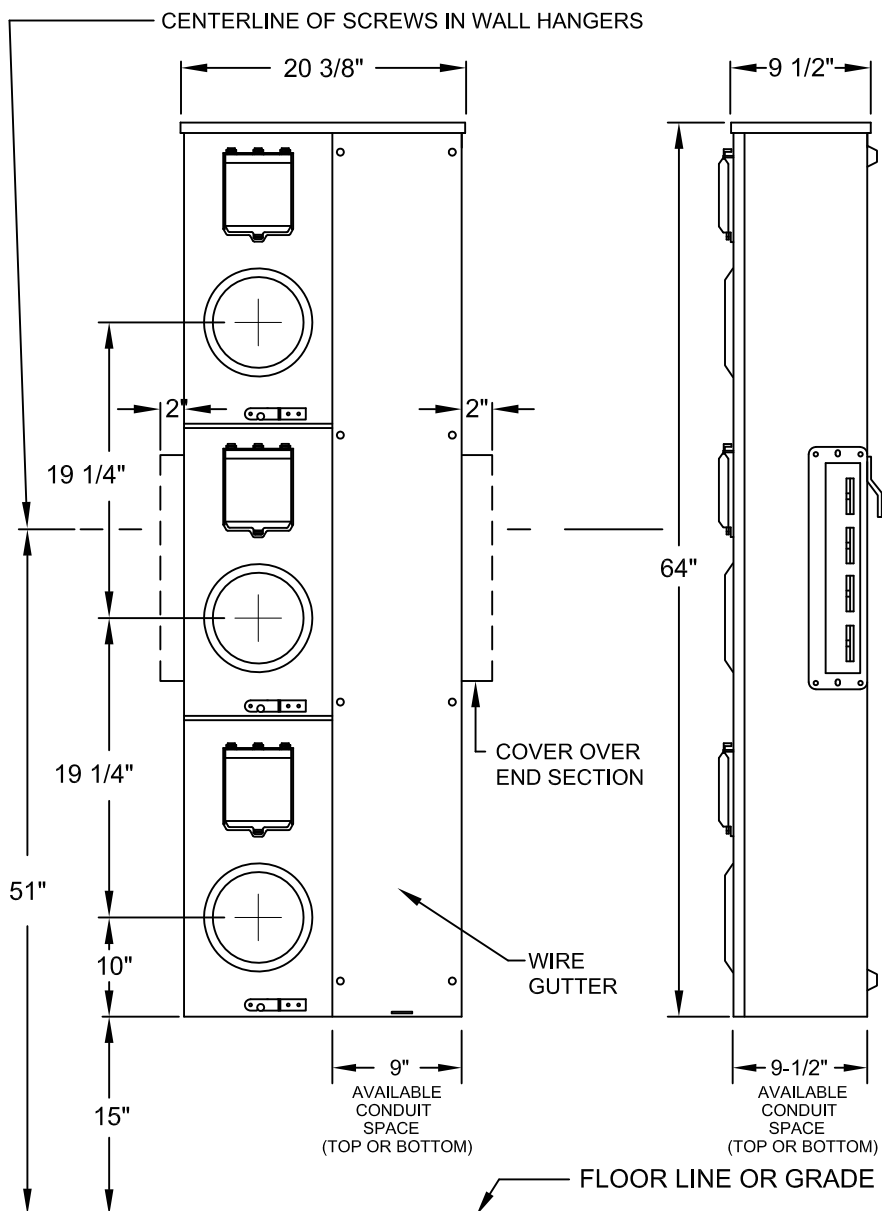
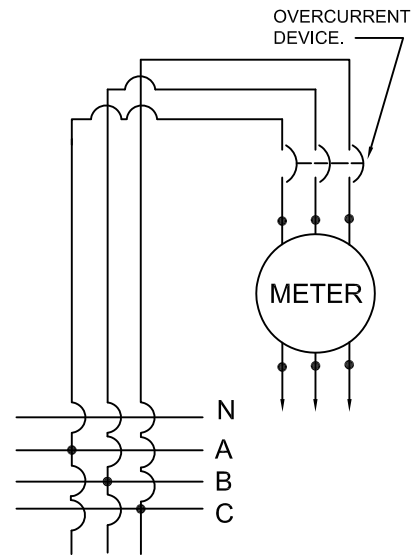
**RATINGS:** 1200A MAIN BUS. 800A OR 1600A MAIN BUS AVAILABLE. BRANCH CIRCUIT DEVICES MAY BE FUSIBLE PULLOUT SWITCHES, MAXIMUM 200 AMPS, WITH 200,000 RMS AMPS. WITHSTAND RATING, OR, FOR CIRCUIT BREAKERS, CONSULT FACTORY.

**[www.ericksonelectric.com](http://www.ericksonelectric.com)**

**ERICKSON ELECTRICAL EQUIPMENT CO.**  
475 BONNIE LANE • ELK GROVE VILLAGE, IL 60007  
TELEPHONE: (847) 640-7701 / 1-800-952-7225  
FAX: (847) 640-0565

# COLD SEQUENCE COMMERCIAL METERING PANELBOARDS (480Y/277VAC MAXIMUM)

NUMBER OF POSITIONS.	CAT.NO. WITH 3 PH. BRANCHES
3	6CSCM87-3
2	6CSCM87-2
1	6CSCM87-1



CATALOG NUMBERS LISTED HAVE 1200A MAIN BUS.

**CM7** INDICATES 800A MAIN BUS.

**CM9** INDICATES 1600A MAIN BUS.

FOR PARTS TO INSTALL ADDITIONAL METER POSITION IN EXISTING STACK  
- SEE DWG# 6CSCMT